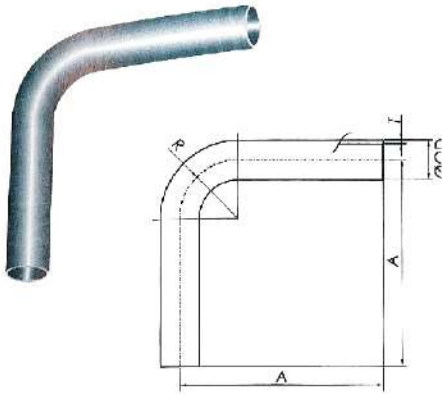
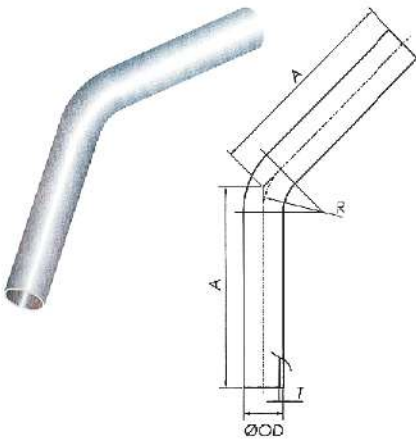


High purity fittings -inch type



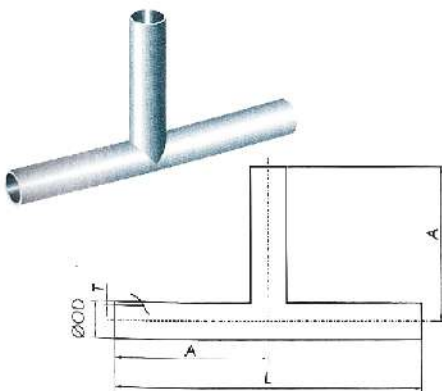
90° DEG ELBOWS

ORDER NUMBER	SIZE	OD	T	R	A
JB0165-0025	1/4	6.35	0.89	14.20	52.30
JB0165-0038	3/8	9.53	0.89	14.20	66.60
JB0165-0050	1/2	12.70	1.24	19.10	66.60
JB0165-0075	3/4	19.05	1.65	28.60	66.60
JB0165-0100	1.0	25.40	1.65	38.10	101.60
JB0165-0150	1.5	38.10	1.65	57.20	120.70
JB0165-0200	2.0	50.80	1.65	76.20	139.70
JB0165-0300	3.0	76.20	1.65	114.30	254.00
JB0165-0400	4.0	101.60	2.11	152.40	279.40



45° DEG ELBOWS

ORDER NUMBER	SIZE	OD	T	R	A
JB0167-0025	1/4	6.35	0.89	14.20	27.90
JB0167-0038	3/8	9.53	0.89	14.20	50.80
JB0167-0050	1/2	12.70	1.24	19.10	63.50
JB0167-0075	3/4	19.05	1.65	28.60	63.50
JB0167-0100	1.0	25.40	1.65	38.10	79.20
JB0167-0150	1.5	38.10	1.65	57.20	88.90
JB0167-0200	2.0	50.80	1.65	76.20	95.30
JB0167-0300	3.0	76.20	1.65	114.30	152.40
JB0167-0400	4.0	101.60	2.11	152.40	177.80



EQAL TEES

ORDER NUMBER	SIZE	OD	T	R	A
JB0158-0025	1/4	6.35	0.89	44.45	88.90
JB0158-0038	3/8	9.53	0.89	44.45	88.90
JB0158-0050	1/2	12.70	1.24	54.00	108.00
JB0158-0075	3/4	19.05	1.65	54.00	108.00
JB0158-0100	1.0	25.40	1.65	63.50	127.00
JB0158-0150	1.5	38.10	1.65	69.85	139.70
JB0158-0200	2.0	50.80	1.65	82.55	165.10
JB0158-0300	3.0	76.20	1.65	139.70	279.40
JB0158-0400	4.0	101.60	2.11	152.40	304.80